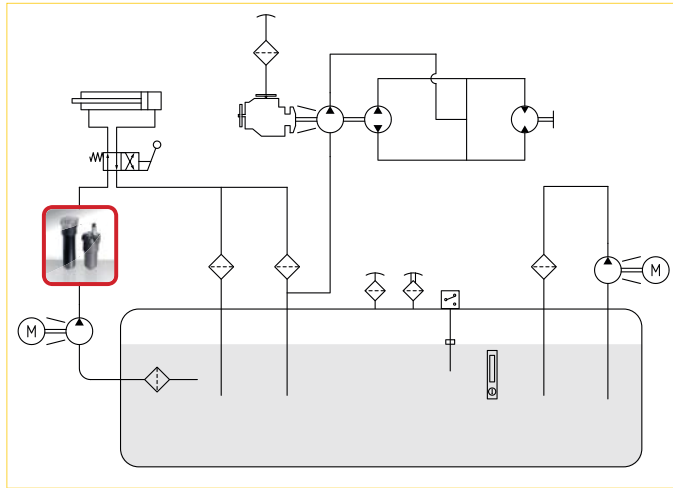


XTT



HIGH PRESSURE INLINE FILTER





CLOGGING INDICATORS

NOB	FRM	Differential VISUAL
		Setting 500 kPa (5 bar)

Recommended tightening torque 90 Nm

NOB	FRM	Differential ELECTRICAL
		Setting 250 kPa (2,5 bar)

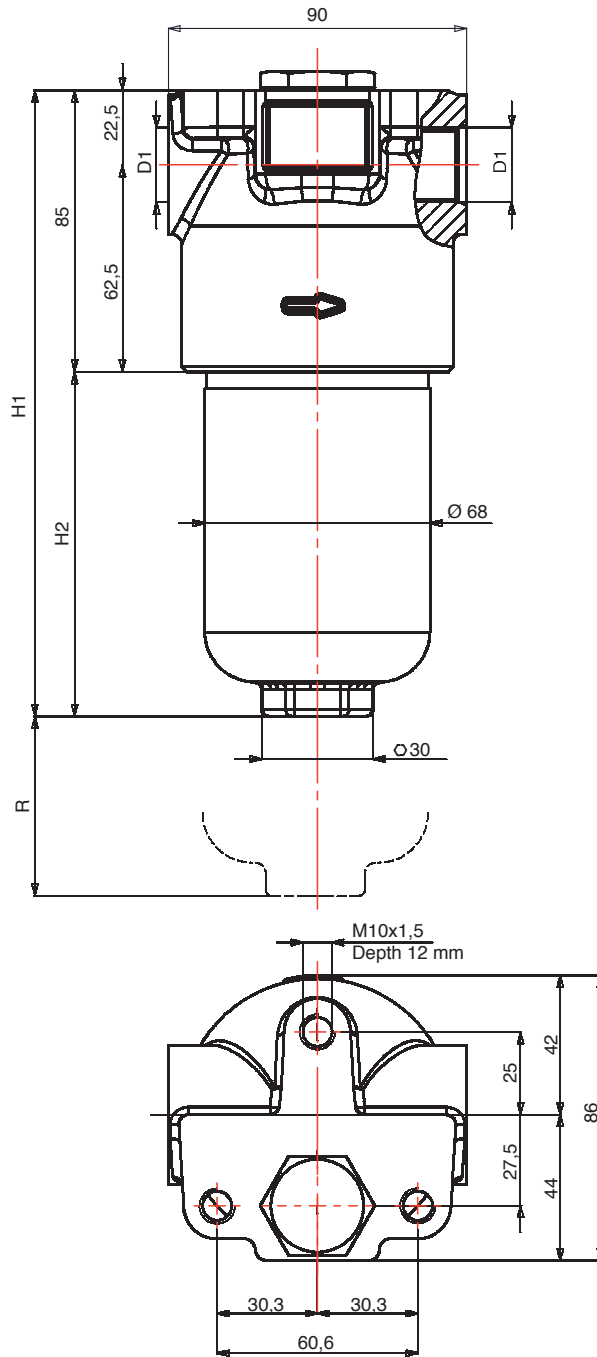
N.O. differential switch. C.C. 28-48V: > max resistive or inductive load 5 - 3A respectively
C.A. 125-250 V: > max resistive or inductive load 4A
Protection IP65-IP69K - Connector AMP timer

Recommended tightening torque 54 Nm

The reference fluid has a kinematic viscosity of 30 cSt and a density of 0,86 Kg/dm³. For different oil viscosity please contact our Sales Department for further information.

Complete Filter Code	Spare filter Element Code	Nominal Flow Rate l/min	Ports (D1)	H1	H2
XTT301 FS 1 D M3 00 XX	CCH301 FS 1	55	M 22 x 1,5	187	104
XTT301 FS 1 D M3 X6 XX	CCH301 FS 1	55	M 22 x 1,5	187	104
XTT301 FD 1 C M3 00 XX	CCH301 FD 1	50	M 22 x 1,5	187	104
XTT301 FD 1 C M3 5E XX	CCH301 FD 1	50	M 22 x 1,5	187	104
XTT301 FD 1 C B3 5E XX	CCH301 FD 1	50	1/2" BSP	187	104
XTT301 FV 1 C M3 00 XX	CCH301 FV 1	60	M 22 x 1,5	187	104
XTT306 FS 1 D M3 00 XX	CCH306 FS 1	75	M 22 x 1,5	234	149
XTT306 FS 1 D M3 X6 XX	CCH306 FS 1	75	M 22 x 1,5	234	149
XTT306 FS 1 C M3 00 XX	CCH306 FS 1	75	M 22 x 1,5	234	149
XTT302 FS 1 D M3 00 XX	CCH302 FS 1	95	M 22 x 1,5	278	199
XTT302 FS 1 D M3 X6 XX	CCH302 FS 1	95	M 22 x 1,5	278	199

DIMENSIONAL LAYOUT
(mm)



Filter Media	Dirt Holding Capacity ISO MTD (g)	Seals Material	Bypass Setting kPa (bar)	Clogging Indicator	Notes
Inorganic fiber 16 µm(c) β>1.000	10,1	NBR	340 kPa (3,4)	Without	
Inorganic fiber 16 µm(c) β>1.000	10,1	NBR	340 kPa (3,4)	Electrical 240 kPa (2,4 bar) (X6)	
Inorganic fiber 12 µm(c) β>1.000	8,2	NBR	600 kPa (6,0)	Without	
Inorganic fiber 12 µm(c) β>1.000	8,2	NBR	600 kPa (6,0)	Visual 500 kPa (5 bar) (5E)	
Inorganic fiber 12 µm(c) β>1.000	8,2	NBR	600 kPa (6,0)	Visual 500 kPa (5 bar) (5E)	
Inorganic fiber 21 µm(c) β>1.000	12,1	NBR	600 kPa (6,0)	Without	
Inorganic fiber 16 µm(c) β>1.000	14,4	NBR	340 kPa (3,4)	Without	
Inorganic fiber 16 µm(c) β>1.000	14,4	NBR	340 kPa (3,4)	Electrical 240 kPa (2,4 bar) (X6)	
Inorganic fiber 16 µm(c) β>1.000	14,4	NBR	600 kPa (6,0)	Without	
Inorganic fiber 16 µm(c) β>1.000	18,7	NBR	340 kPa (3,4)	Without	
Inorganic fiber 16 µm(c) β>1.000	18,7	NBR	340 kPa (3,4)	Electrical 240 kPa (2,4 bar) (X6)	